

## **Duct Attachment Kit Installation Instructions**

F530

**LEGEND BRANDS, INC.**

15180 Josh Wilson Road, Burlington, WA 98233

Phone: 800-932-3030 Fax: 360-757-7950 [LegendBrandsRestoration.com](http://LegendBrandsRestoration.com)

**The Duct Attachment Kit allows the user to secure layflat ducting to the process air outlet of the Revolution LGR, CMC200 and PHD200 Compact Dehumidifiers.**

### **KIT INCLUDES**

Four offset screws  
Four nylon spacers  
Four oversize retaining washers  
Four small washers  
Duct retention ring  
Two 10 ft. lengths of 16 in. layflat ducting

### **TOOLS REQUIRED**

Phillips screwdriver or cordless drill with Phillips bit  
Scissors

### **INSTALLING THE OFFSET SCREWS**

Place the dehumidifier on a work bench or other suitable location.

1. Remove one of the outlet grill retaining screws and replace it with one of the offset screws provided. Be sure to install the spacer and washer in the correct sequence (Fig. A). Do not overtighten.
2. Remove three remaining screws and replace with offset screws.

### **INSTALLING THE DUCTING**

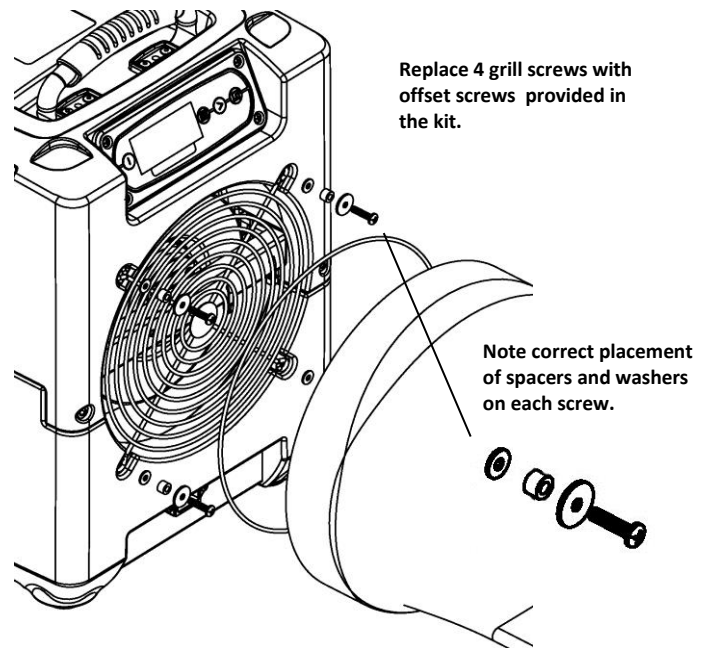
3. Insert the end of the layflat ducting provided through the inside of the metal ring until about 3 in. (6 cm) of ducting protrudes. Fold the ducting back over the outside of the ring.
4. Place the duct ring inside one of the offset screws behind the oversize washer. Now gently squeeze the duct ring just enough to fit the ring inside the remaining three offset screws and behind the oversize washers.

The duct attachment is now ready for use.

TIP: The offset screws may be left in place when not using the duct ring.

TIP: Do not use more than 10 ft. of ducting. Excessive ducting lengths will reduce airflow and decrease water removal performance.

**Fig. A: Screws and ring installation detail.**



### **IMPORTANT**

**Please refer to the dehumidifier Owner's Manual for important safety, operation and maintenance instructions for your dehumidifier equipment.**